

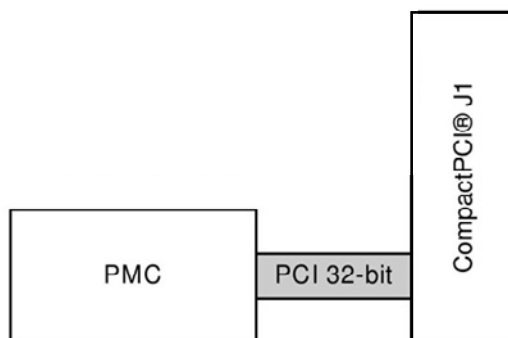
F213 – PMC Carrier Board (for e.g. FlexCard for 19“ Subrack and RoadBox)



Features

- Mezzanine slots
 - One PMC slot
 - 32-bit, 33MHz or 66MHz
- CompactPCI bus
 - Compliance with CompactPCI core specification PICMG 2.0 R3.0
 - 32-bit/33-MHz PCI-to-PCI adapter
 - V(I/O): +3.3V or +5V (adjustable via CompactPCI key)
- Mechanical specifications
 - Dimensions: Conforming to CompactPCI specification for 3U boards
 - Also available with 6U front panel
 - Front panel: 4HP with ejector

Block Diagram



Order Information

Order Number	IO-F213-3U
Order Number	IO-F213-6U