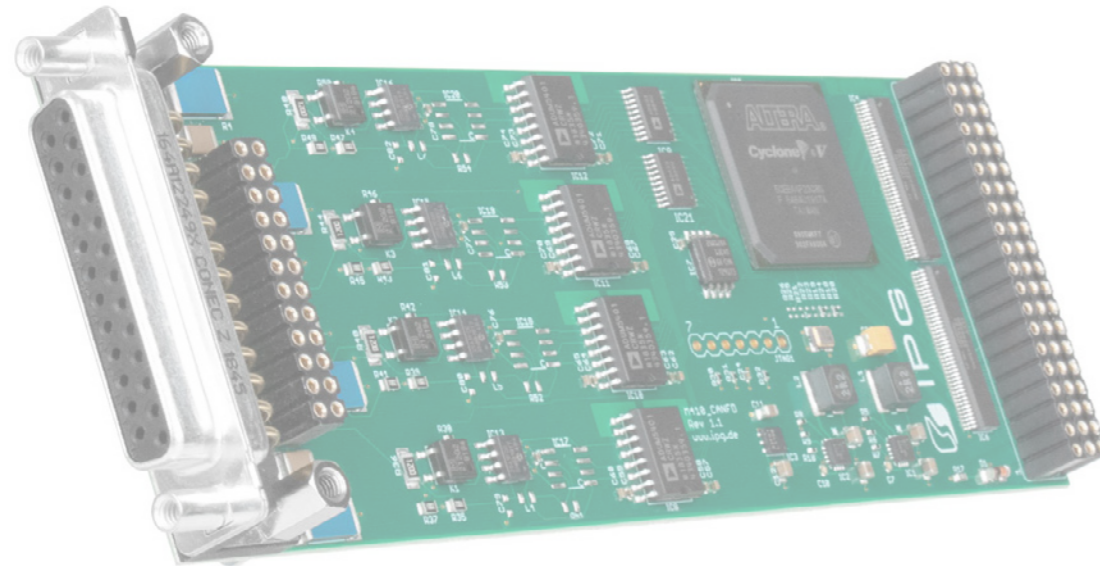


M416 – DSI3 Interface

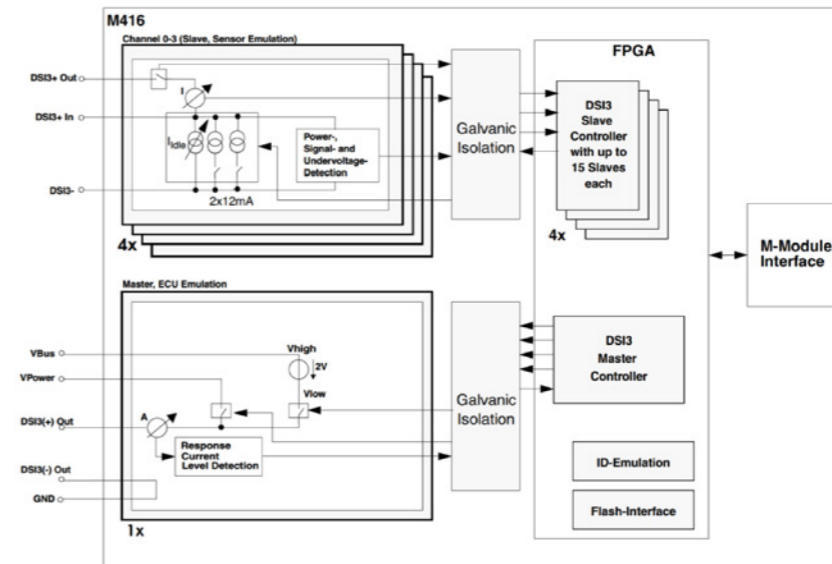


M-Module Example

Features

- 4 independent slave channels
- 1 master channel
 - external 3-20V bus voltage
 - external power phase voltage supply (optional, for Power Function Class)
- Up to 15 sensors per channel
- All channels galvanically isolated from each other and from system supply
- Supported DSI3 Modes:
 - Command Response Mode (CAM)
 - Periodic Data Collection Mode (PDCM)
 - Background Diagnostic Mode (BDM)
 - Power Function Class Command Response Mode
 - Discovery Mode Physical Address Assignment
- Listener Mode (Bus Analyzer)
- Daisy Chain Bus Switch
- Pre-programmable CRM Responses
- Fully supported by the CarMaker MIO library

Block Diagram



Order Information

Order Number	IO-M416
--------------	---------