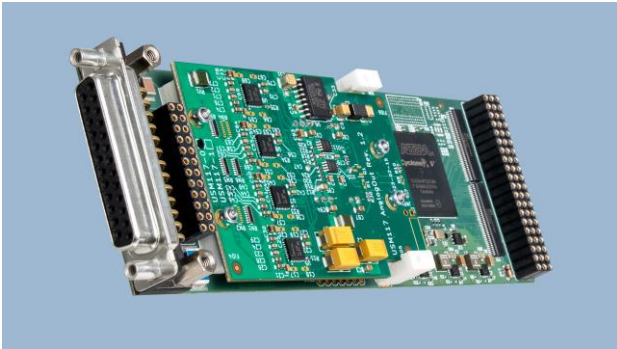


# M417 – Analog Outputs



## Description

The M417 is an analog output module with either 16 output channels (M417) or with 12 output channels and 12 ground sense inputs (M417-01), realized as a module, which can be used on a cPCI carrier board.

All input channels are galvanically isolated from the module carrier/cPCI system. The module can be extended for use on the Xpack4 real-time system.

## Use cases

The module can be used to output analog voltages, e.g. to simulate a sensor which outputs a voltage to a HIL system.

Using the ground sense inputs, the M417-01 can compensate voltage drops in the ground connection to the target device using a Kelvin connection.

## Benefits

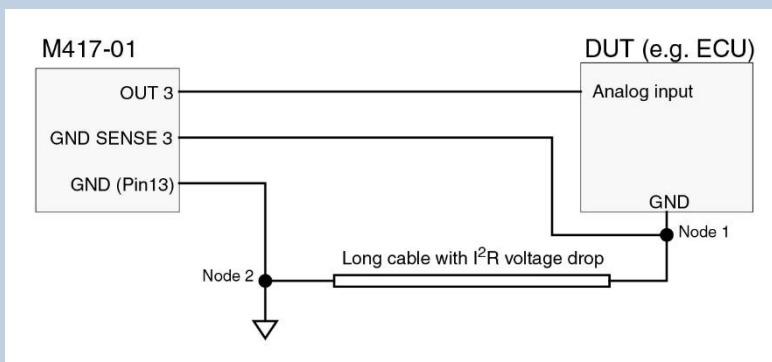
- Unipolar 0 – 10 V and bipolar -10 – 10 V ranges
- +/- 0.1 % accuracy
- Galvanic isolation
- Fully supported by the CarMaker MIO library

### M417

- 16 single-ended input channels

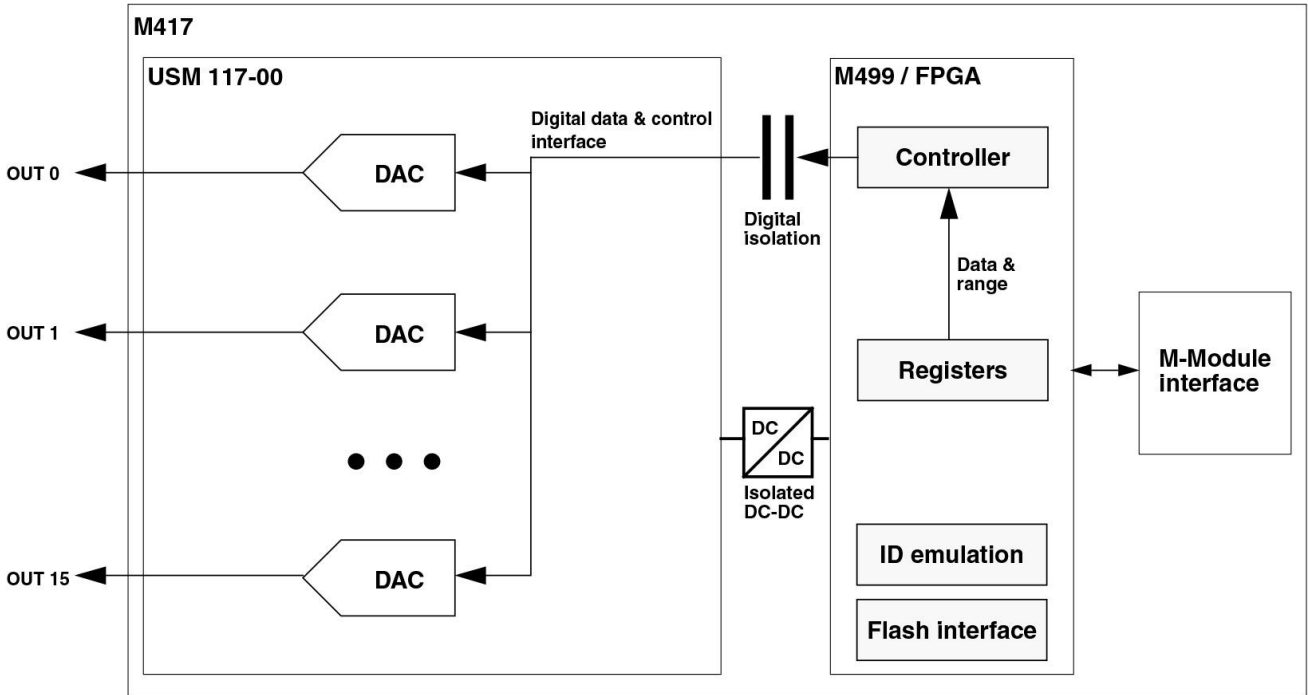
### M417-01

- 12 output channels
- Ground sense inputs (Kelvin connection) to compensate voltage drop



Block diagram

M417



M417-01

