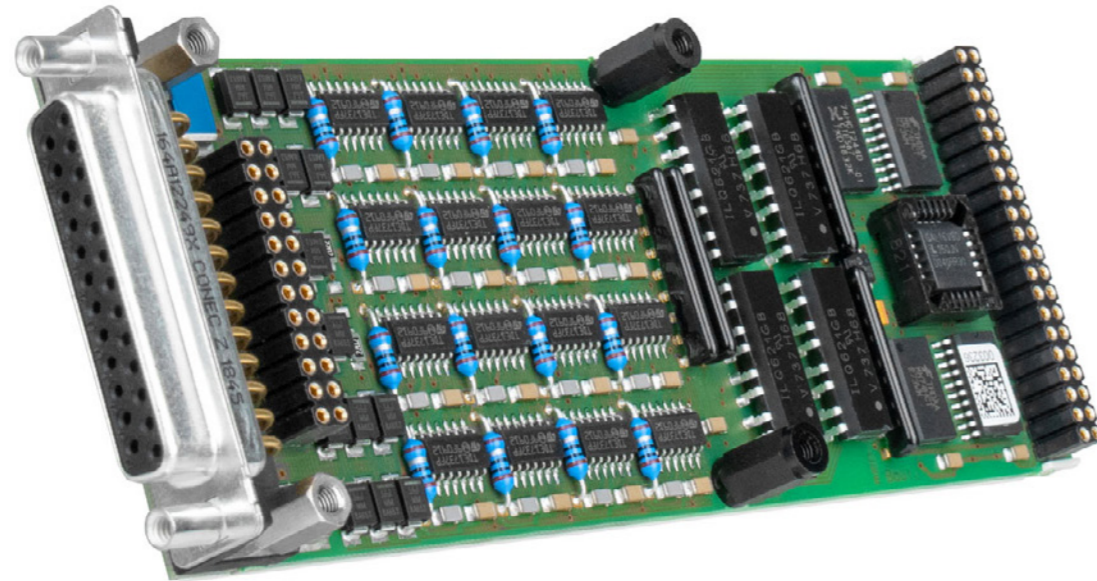


## M27 – Binary Outputs Low Side Switch



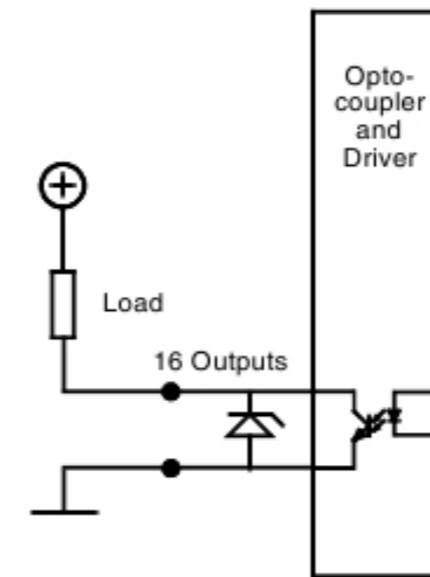
### Features

- 16 individual programmable digital outputs
- Bipolar transistor technology, fast switching
- Open collector outputs
- Suppressor diode protection against inductive loads
- 500mA per channel
- Optically isolated outputs
- Common ground

### Use Cases

- Switching high-voltage/high-current loads via relays
- Process status display by switching LEDs
- Switching other loads up to 500mA

### Block Diagram



### Technical Data

Output channels	<ul style="list-style-type: none"> <li>• 16 digital outputs</li> <li>• Open collector, bipolar transistor outputs</li> <li>• Lowside switch (load on supply voltage)</li> <li>• 8..36V; 10µA max (open)</li> <li>• 2V max.; 500mA (closed)</li> <li>• Common ground</li> </ul>
Galvanic isolation	Optical isolation for each channel
Protection features	<ul style="list-style-type: none"> <li>• Thermal and short circuit protection</li> <li>• Suppressor diodes – protect against inductive loads</li> </ul>
Connector	25-pin D-Sub connector (female)

### Order Information

Order Number	IO-M27
--------------	--------

### Alternatives

M409	Providing digital and analog IOs
M441	With 16 channel high-end PWM outputs
M28	For a high-side switch variant
M66 and M81	