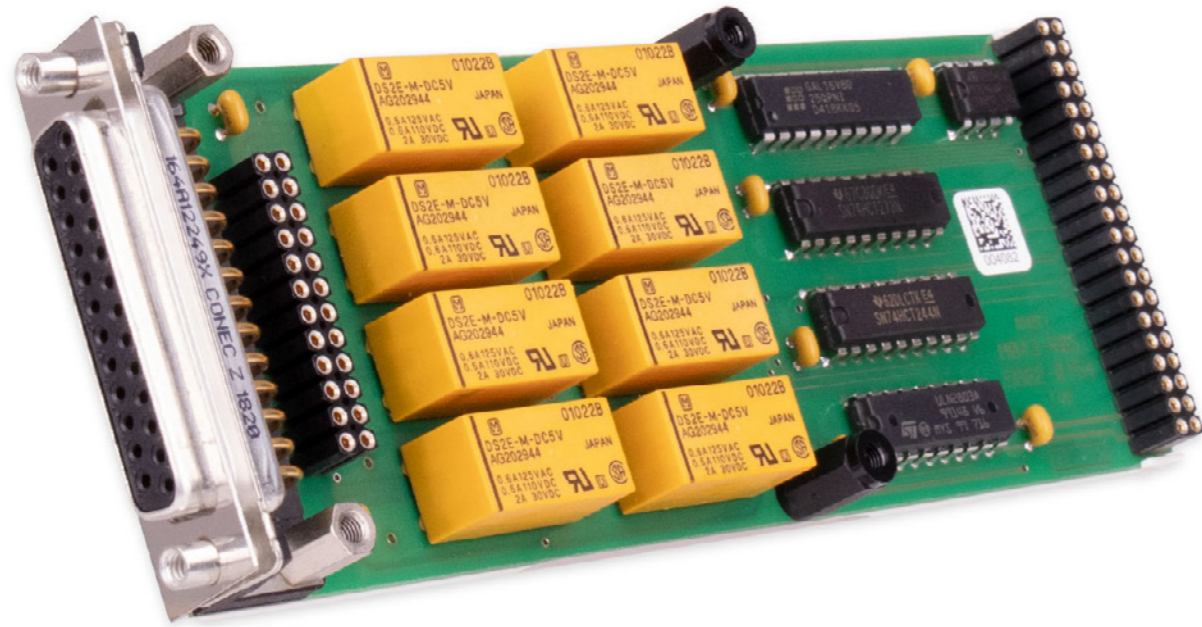


M43 - Relay Outputs



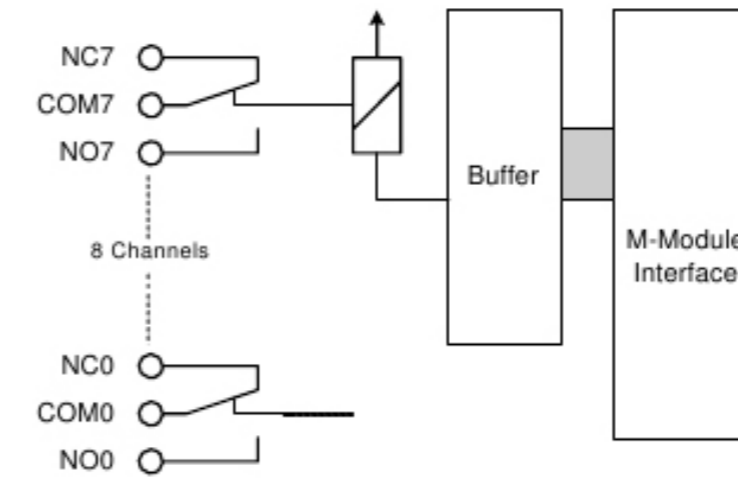
Features

- 8 channels as throw-over contacts
- Switching time 2ms

Use Cases

- Switching supply voltages with up to 1A loads
- Routing sensor-/actor signals to IO
- Switching high load relays in process automation

Block Diagram



Technical Data

Relay channels	<ul style="list-style-type: none"> • Maximum switching voltage: 48V • Maximum operation current: 1A • Maximum switching power: 60W
Connector	25-pin D-Sub connector (female)

Order Information

Order Number	IO-M43
--------------	--------

Alternatives

M413	For higher loads, multiplexing features and overload protection
------	---