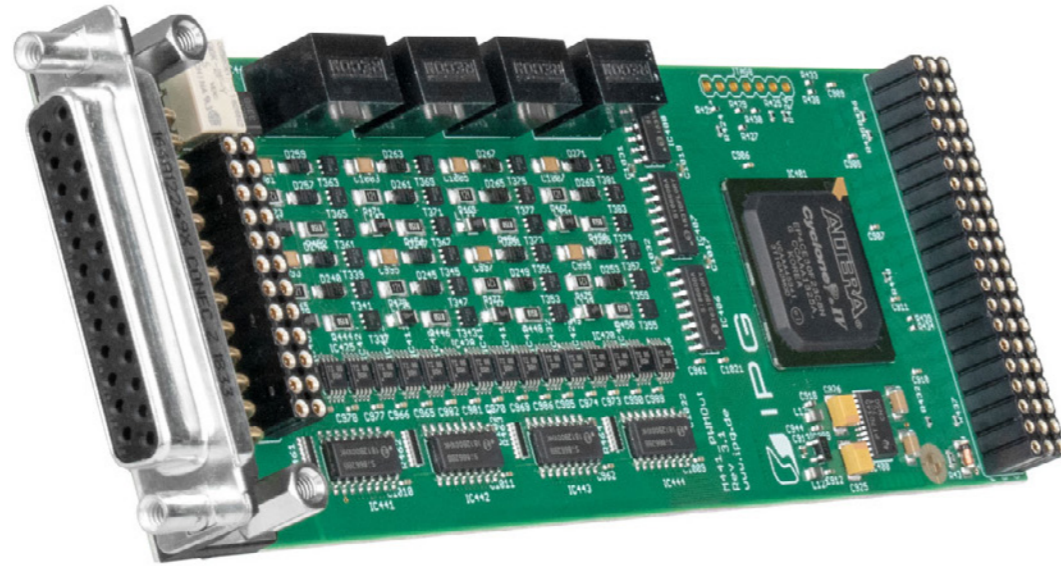


M441 – Universal Digital Output (PWM / Square Wave / Multipulse)



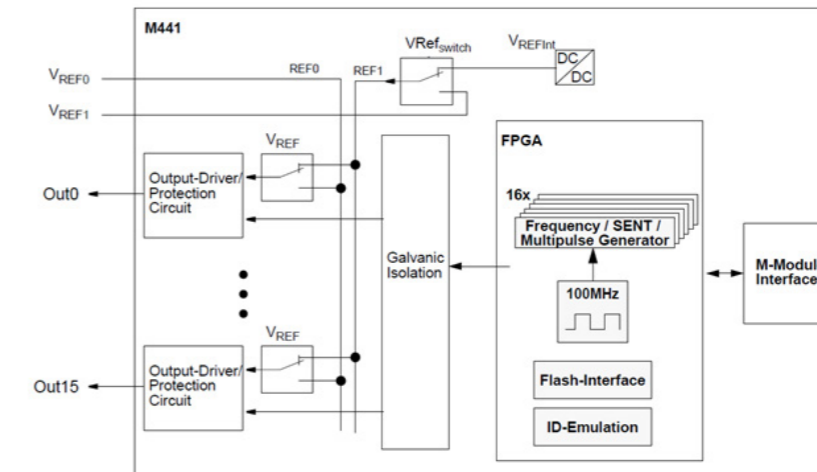
Features

- 16 Output channels, each separately configurable:
 - Square wave or PWM generator
 - Binary output
 - SENT signal generator (SAE J2716, channel 0..7 only)
 - Multi pulse signal generator for up to 63 pulses
- 2 external or 1 internal voltage references configurable per channel
- Voltage range of the external references: 3.3 .. 60V
- Up to 180mA per channel
- Galvanic isolation against system supply
- Output stage can be configured as:
 - Push-pull-driver
 - Open emitter
 - Open collector
 - High-impedance output
- Continuous frequency range from 0 .. 1MHz
- Overload and short circuit protected
- In the field hardware upgrade by updating the FPGA

Use Cases

- Emulating active sensors with PWM outputs in automotive or process automation applications
- Generating binary coded outputs to emulate μ C compatible sensor signals
- Emulating SENT based sensor messages

Block Diagram



Technical Data

Output channels	16 output channels
Reference voltages	<ul style="list-style-type: none"> • 2 External reference inputs • 1 Internal reference
Reference voltage range	<ul style="list-style-type: none"> • External: 3.3V .. 60V • Internal: 5V
Low level output voltage	GND + 0.3V at 180mA
High level output voltage	VRef - 0.3V at 180mA
Maximum output current with external reference	<ul style="list-style-type: none"> • 180mA per channel • Overcurrent protected
Maximum output current with internal reference	<ul style="list-style-type: none"> • Up to 180mA per channel • 400mA for all channels together
Frequency range	0 .. 1MHz
Frequency resolution	<ul style="list-style-type: none"> • < 390kHz: 0,00024Hz • \geq 390kHz: 0,01552Hz
Pulse width resolution	<ul style="list-style-type: none"> • Pulse-duty factor mode: better than 2×10^{-10} • Fixed pulse width mode: 1 digit=10ns
Jitter	10ns
Address space	<ul style="list-style-type: none"> • A08D16 or A24D32 • SENT is only available in the A24D32 address space
Connectors	25 pin SUBD receptacle connector , female

Order Information

Order Number	IO-M441
--------------	---------

Alternatives

M27/M28/M66	For basic binary outputs
M409	For digital and analog GPIO